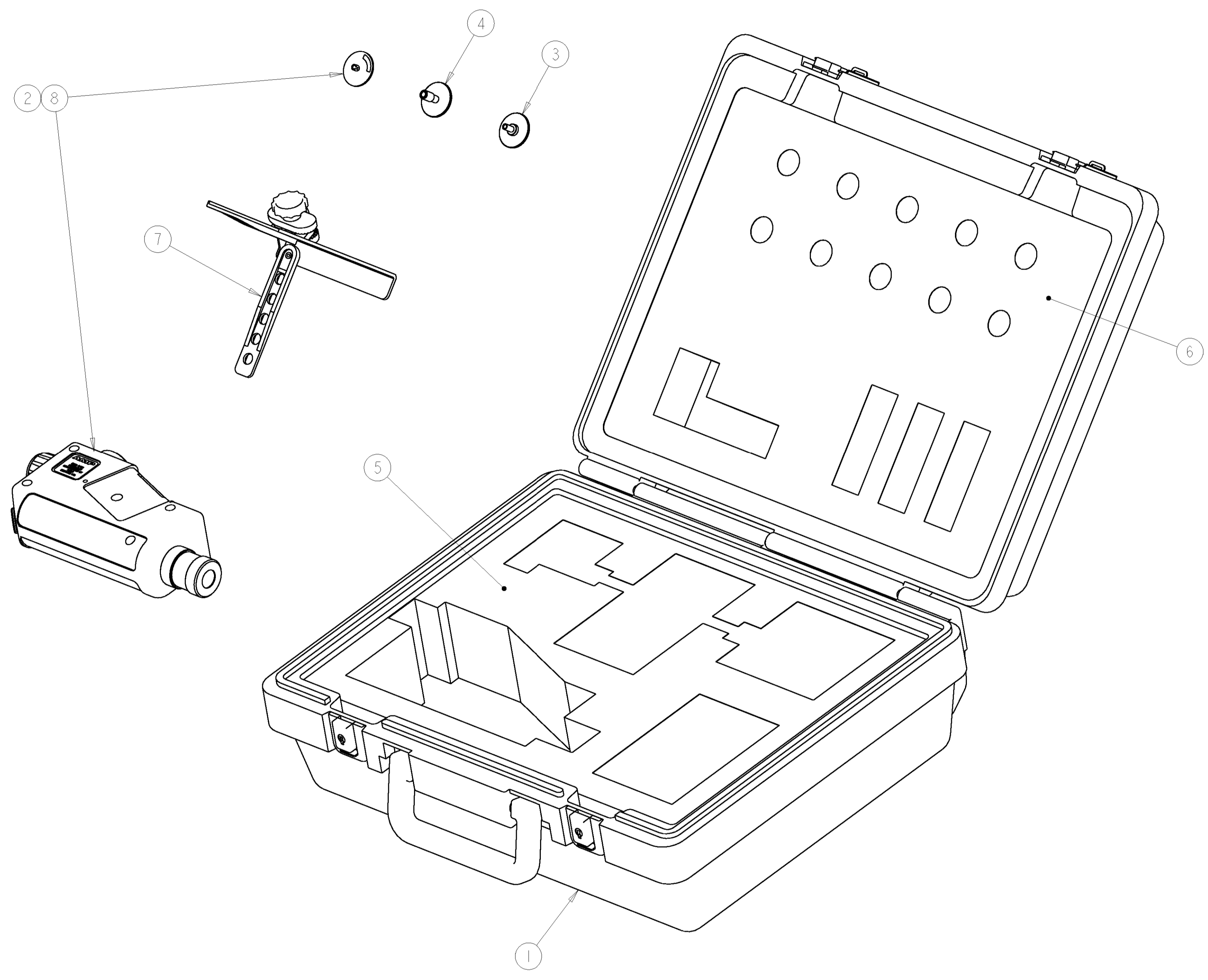


LOC	DIST	REVISIONS					
		P.	LTR	DESCRIPTION	DATE	DWN	APPR
CE	16	F		REVISED PER 0A00-0781-00	15 NOV 2000	TA	SB



- 1 MATERIAL:
 MICROSCOPE: A.B.S. PLASTIC
 CONNECTOR ADAPTERS: ALUMINUM
 TRIPOD: FIBERGLASS REINFORCED NYLON WITH ALUMINUM
 THREADED COMPONENTS
 FOAM: ANTISTATIC FOAM PER AMP SPEC. 115-59
 CARRYING CASE: HIGH DENSITY POLYETHYLENE WITH
 METAL LATCHES/LOCKS
- 2 FINISH:
 MICROSCOPE: BLACK
 CONNECTOR ADAPTERS: BLACK ANODIZE
 TRIPOD: BLACK
 FOAM: PINK
 CARRYING CASE: CHARCOAL GRAY WITH
 TEXTURED GRAIN EXTERIOR
- 3 RED ON/OFF SWITCH W/AC ADAPTER VERSION USES
 2.8V REPLACEMENT LIGHT BULB P/N 502964-1.
 RED ON/OFF SWITCH W/LOW BATTERY INDICATOR USES
 LONG LIFE LED.

1	1	-	-	502978-2	MICROSCOPE W/20X EYEPIECE	8
1	1	1	1	502965-1	TRIPOD	7
1	1	1	1	-	UPPER FOAM	6
1	1	1	1	-	LOWER FOAM	5
1	1	1	1	492547-1	F07 TYPE ADAPTER	4
1	1	1	1	502971-1	F5MA ADAPTER	3
-	-	1	1	502978-1	MICROSCOPE W/10X EYEPIECE	2
-	-	1	1	-	CASE	1
-4	-3	-2	-1	PART NUMBER	DESCRIPTION	ITEM NO

DIMENSIONS: INCHES		TOLERANCES UNLESS OTHERWISE SPECIFIED:		DWN T. ALEXANDER 02 NOV 2000		ERM D. WERTMAN 15 NOV 2000		NAME S. RIICHTER 15 NOV 2000		AMP Tyco Electronics Harrisburg, PA 17105-3608	
0 PLC ± 1 PLC ± 2 PLC ± 3 PLC ± 4 PLC ± ANGLES ±		± ± ± ± ±		PRODUCT SPEC APPLICATION SPEC		SIZE A1		CAGE CODE 00779		DRAWING NO C=502970	
MATERIAL : △		FINISH : △		WEIGHT -		RESTRICTED TO -		SCALE 1:2		SHEET 1 OF 1	
CUSTOMER DRAWING				REV F		REV F		REV F		REV F	